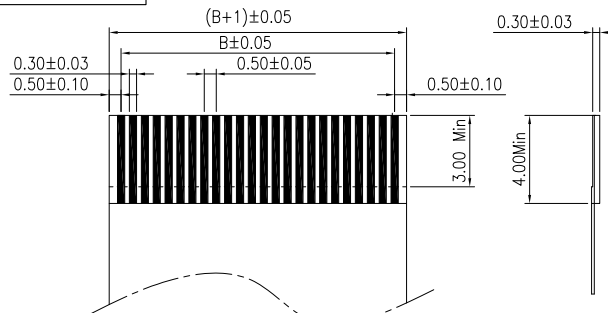
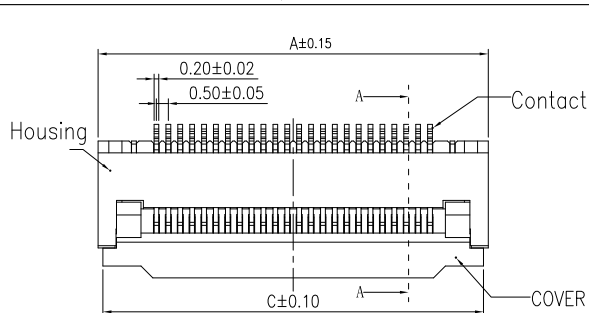


The product using material and processing must conform to the "WI-PZ-142"HSF technical standard control requirements

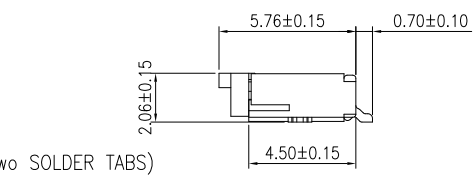
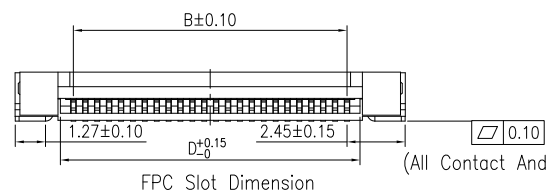
RoHS+HF



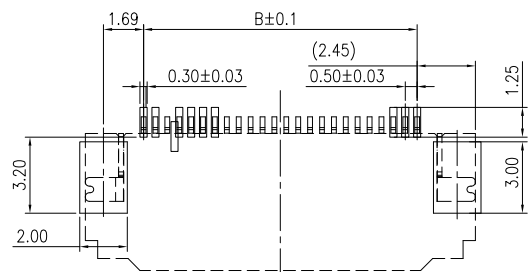
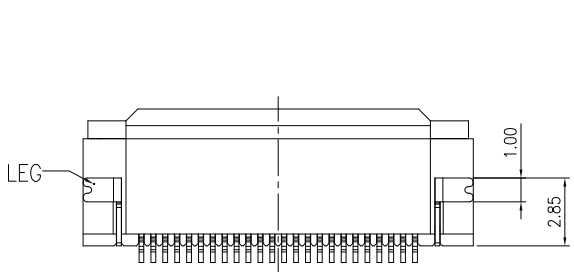
Recommended FPC Dimension

- NOTE:
- MATERIAL SPECIFICATION:
    - HOUSING: LCP,94V-0,BERGE
    - CONTACTS: PHOSPHOR BRONZE
    - COVER: LCP UL94-V0,BLACK.
    - SOLDER TABS: BRASS.
  - PLATING SPECIFICATION:
    - CONTACTS: MATTE TIN OR GOLD PLATING NICKEL OVERALL
    - SOLDER TABS: MATTE TIN PLATING OVER NICKEL
  - MECHANICAL PERFORMANCE:
    - RETENTIVITY FORCE: 0.04kgf/PIN MIN
    - DURABILITY: 20 CYCLES.
  - ELECTRICAL PERFORMANCE:
    - CURRENT RATING: 0.4A
    - VOLTAGE RATING: 50V AC
    - CONTACT RESISTANCE: 20 mΩ MAX
    - INSULATION RESISTANCE: 50MΩ Min
    - DIELECTRIC WITHSTANDING VOLTAGE: 200V
  - ENVIRONMENTAL PERFORMANCE:
    - OPERATING TEMPERATURE: -25°C~+85°C.
    - FALT FOG: 24H
  - PACKAGE SPEC: REEL
  - P/N:

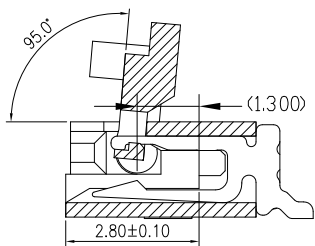
Circuit	Dimensions(mm)				Circuit	Dimensions(mm)			
	A	B	C	D		A	B	C	D
04	6.40	1.50	6.00	2.50	43	25.90	21.00	25.50	22.00
05	6.90	2.00	6.50	3.00	44	26.40	21.50	26.00	22.50
06	7.40	2.50	7.00	3.50	45	26.90	22.00	26.50	23.00
07	7.90	3.00	7.50	4.00	46	27.40	22.50	27.00	23.50
08	8.40	3.50	8.00	4.50	47	27.90	23.00	27.50	24.00
09	8.90	4.00	8.50	5.00	48	28.40	23.50	28.00	24.50
10	9.40	4.50	9.00	5.50	49	28.90	24.00	28.50	25.00
11	9.90	5.00	9.50	6.00	50	29.40	24.50	29.00	25.50
12	10.40	5.50	10.00	6.50	51	29.90	25.00	29.50	26.00
13	10.90	6.00	10.50	7.00	52	30.40	25.50	30.00	26.50
14	11.40	6.50	11.00	7.50	53	30.90	26.00	30.50	27.00
15	11.90	7.00	11.50	8.00	54	31.40	26.50	31.00	27.50
16	12.40	7.50	12.00	8.50	55	31.90	27.00	31.50	28.00
17	12.90	8.00	12.50	9.00	56	32.40	27.50	32.00	28.50
18	13.40	8.50	13.00	9.50	57	32.90	28.00	32.50	29.00
19	13.90	9.00	13.50	10.00	58	33.40	28.50	33.00	29.50
20	14.40	9.50	14.00	10.50	59	33.90	29.00	33.50	30.00
21	14.90	10.00	14.50	11.00	60	34.40	29.50	34.00	30.50
22	15.40	10.50	15.00	11.50	61	34.90	30.00	34.50	31.00
23	15.90	11.00	15.50	12.00	62	35.40	30.50	35.00	31.50
24	16.40	11.50	16.00	12.50	63	35.90	31.00	35.50	32.00
25	16.90	12.00	16.50	13.00	64	36.40	31.50	36.00	32.50
26	17.40	12.50	17.00	13.50	65	36.90	32.00	36.50	33.00
27	17.90	13.00	17.50	14.00	66	37.40	32.50	37.00	33.50
28	18.40	13.50	18.00	14.50	67	37.90	33.00	37.50	34.00
29	18.90	14.00	18.50	15.00	68	38.40	33.50	38.00	34.50
30	19.40	14.50	19.00	15.50	69	38.90	34.00	38.50	35.00
31	19.90	15.00	19.50	16.00	70	39.40	34.50	39.00	35.50
32	20.40	15.50	20.00	16.50	71	39.90	35.00	39.50	36.00
33	20.90	16.00	20.50	17.00	72	40.40	35.50	40.00	36.50
34	21.40	16.50	21.00	17.50	73	40.90	36.00	40.50	37.00
35	21.90	17.00	21.50	18.00	74	41.40	36.50	41.00	37.50
36	22.40	17.50	22.00	18.50	75	41.90	37.00	41.50	38.00
37	22.90	18.00	22.50	19.00	76	42.40	37.50	42.00	38.50
38	23.40	18.50	23.00	19.50	77	42.90	38.00	42.50	39.00
39	23.90	19.00	23.50	20.00	78	43.40	38.50	43.00	39.50
40	24.40	19.50	24.00	20.50	79	43.90	39.00	43.50	40.00
41	24.90	20.00	24.50	21.00	80	44.40	39.50	44.00	40.50
42	25.40	20.50	25.00	21.50					



- SERIES NO: F0501 20 F 9-1 XX 2 X X 01
- HEIGHT: 20: 2.0mm
- MALE FEMALE: F-FEMALE
- ANGLE: 9-90°
- ROW NO: 1-SINGLE ROW
- COLOR: M-BEIGE, K-WHITE, A-BALCK
- PLATING: A-ALL AU G/F, D-MATTE TIN, C-BRIGHE TIN
- TERMINPOINT: 2-SMT
- PIN Q'PY: 04~40



FPC/FPC Insert Direction Recommended P.C.B Layout

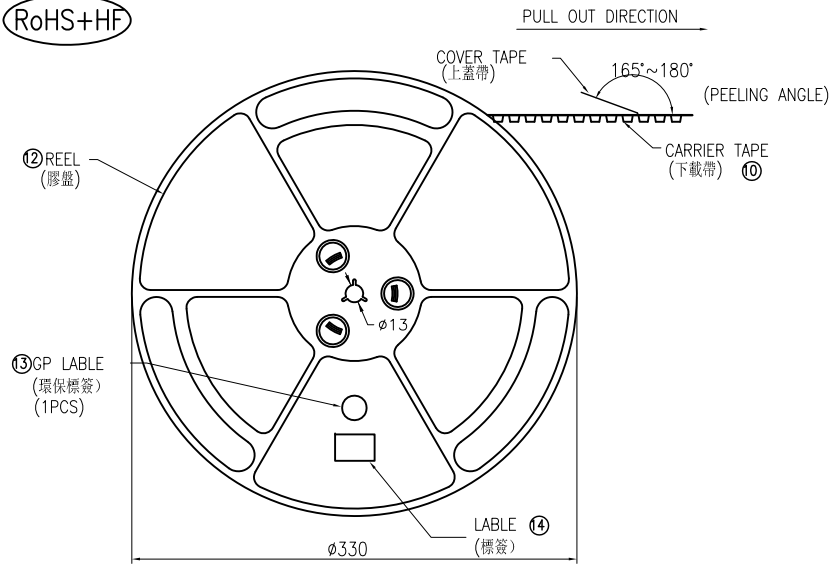


Section A-A Scale 2:1

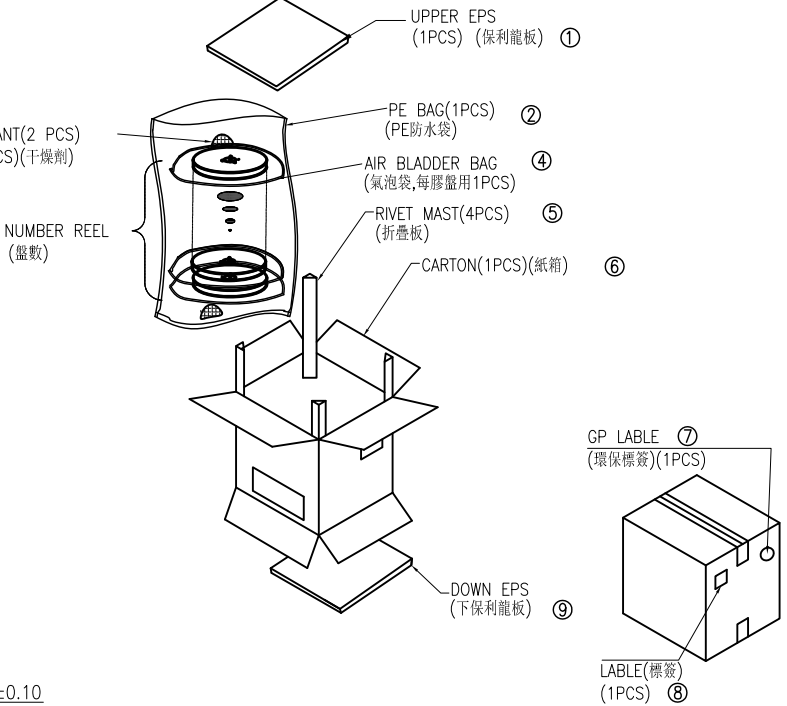
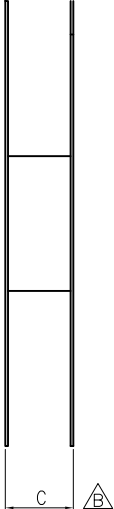
REV.	REVISION RECORD	DATE	UNIT:mm	GENERAL TOLERANCES		SCALE: 1:1	NAME	DATE	PART.NO:	DWG.NO:	WanLian Technology Co., Ltd
A0	NEW RELEASE	21.01.13		LINEAR	ANGLES	APPROVED					
A1	Common trimmed size	23.08.21	0.00±0.25	X°REF±6°	DESIGNER	Wang_jr	23.08.21	TITLE:	FPC 0.5Pitch 2.0H ZIF掀盖式	REV: A1	SHEET: 1/2
			SIZE: A4	0.000±0.10	X°X' ±2°	DRAWN	Wang_jr	23.08.21			

The product using material and processing must conform to the "WI-PZ-142"HSF technical standard control requirements

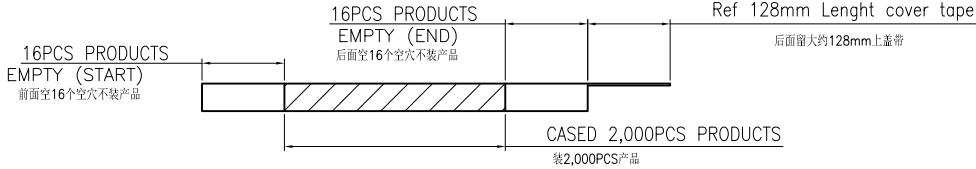
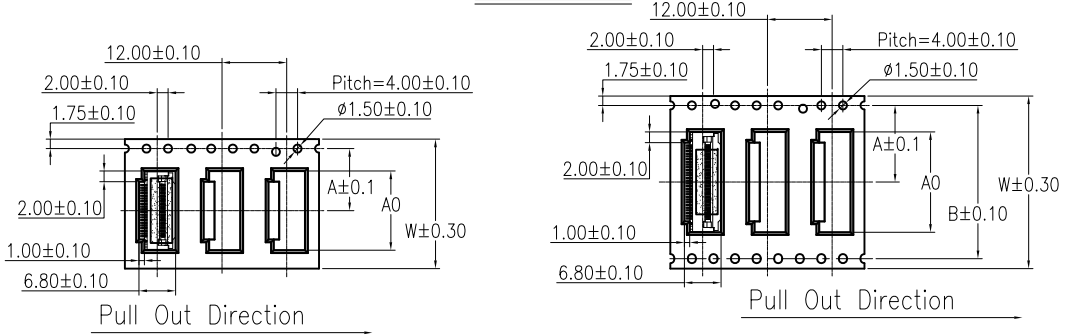
RoHS+HF



Scale 1:4



- NOTES :
- CARTON SPEC. :350 \*350 \*340mm(OUT DIM) , PAPPER THICKNESS =5mm
  - UPPER and DOWN EPS: 350\*350mm THICKNESS =8mm.
  - THE COVER TAPE PEELING FORCE:30~100g.
  - PER REEL CASED ONE AIR BLADDER BAG.
  - CARRIER TAPE COLOR:BLACK.



Circuit	C	W	A	B	A0	PCS/Reel	Reel/Carton	Sum(PCS)
04PIN~10PIN	20.5	16	7.50	-	6.60+ (n-4)*0.5 (n=pin no)	2,000	15	30,000
11PIN~25PIN	28.5	24	11.5	-		2,000	10	20,000
26PIN~35PIN	36.5	32	14.2	28.4		2,000	8	16,000
36PIN~56PIN	48.5	44	20.2	40.4		2,000	6	12,000
57PIN~80PIN	60.5	56	26.2	52.4		2,000	5	10,000

REV.	REVISION RECORD	DATE	UNIT:mm	GENERAL TOLERANCES		SCALE:	NAME	DATE	PART.NO:	DWG.NO:	TITLE:	REV: A1	SHEET: 2/2
A0	NEW RELEASE	21.01.13		LINEAR	ANGLES	1:1							
A1	Common trimmed size	23.08.21	0.00±0.25	X'±3°	APPROVED	Wang_jr	23.08.21	F050120F9-1XX2XX01	ENDE05	WanLian Technology Co., Ltd			
			0.00±0.10	X'X' ±2°	DESIGNER	Wang_jr	23.08.21						PACKAGE SPECIFICATION
			SIZE: A4		DRAWN	Wang_jr	23.08.21						

